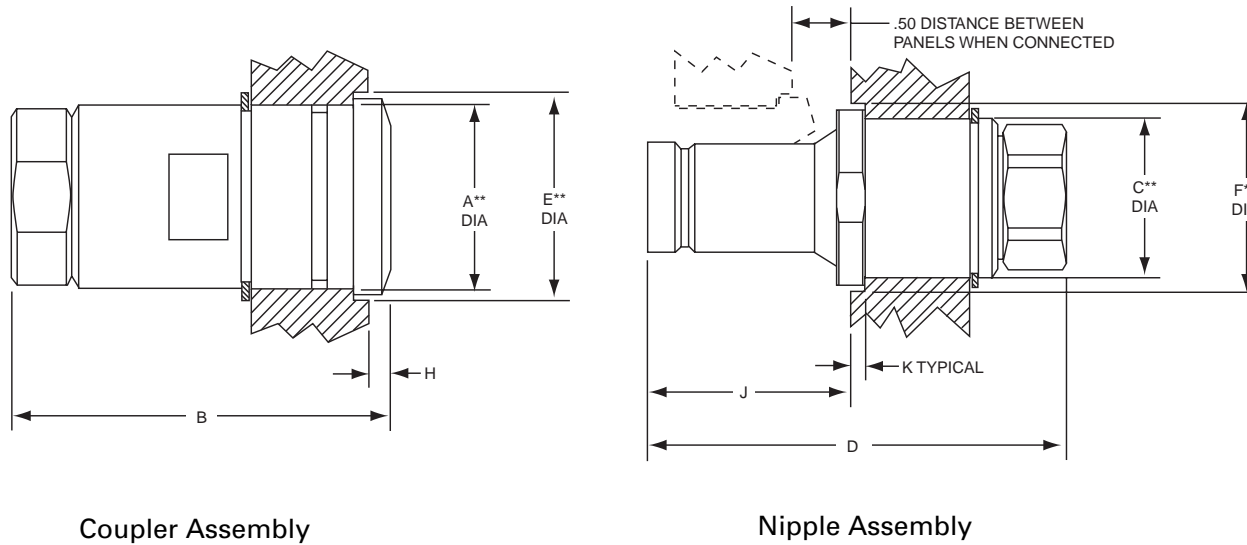


BN SERIES

Panel Mount Couplings 3/8" - 3/4" Sizes



**Recommended hole size.

Snap-tite
COMPONENTS, INC.

Quick Disconnect & Valve Division
201 Titusville Road
Union City, PA 16438-8699 USA
PH: 814-438-3821 FAX: 814-438-3069
e-mail: qd&v_sales@snap-tite.com
www.snap-tite.com

Snap-tite
EUROPE, B.V.

Industrial Estate
Whitemill - Wexford
Republic of Ireland
PH: 353-53-41566 FAX: 353-53-41582
e-mail: snap-tite@snap-tite.iol.ie
www.snap-tite.com

ISO-9001 Certified

Unit Size	A Dia +/- .005		B +/- .03		C Dia +/- .005		D +/- .03		E Dia Min		F Dia Min		H		J		K	
	in	mm	in	mm	in	mm	in	mm	in	mm	in	mm	in	mm	in	mm	in	mm
3/8"	1.563	39.70	3.22	81.79	1.375	34.93	3.44	87.38	1.750	44.45	1.563	39.70	.20	5.08	1.74	44.20	.125	3.18
1/2"	1.938	49.23	3.70	93.98	1.763	44.78	3.55	90.17	2.172	55.17	1.922	48.82	.29	7.37	1.64	41.66	.250	6.35
3/4"	2.000	50.80	3.72	94.49	2.000	50.80	3.47	88.14	2.438	61.93	2.438	61.93	.43	10.92	1.81	45.97	.220	5.59

Contact factory for verification of dimensions prior to any machining.

BN SERIES

How to Order

Part Number Example: SBNC6-4EFE

Material ¹	Series	Coupling Half	Coupling Size	End Fitting Size	Type of ¹ End Fitting	Seal ¹ Material
S Stainless Steel	BN	C Coupler N Nipple	6 - 3/8"	4 - 1/4"	F	**
			8 - 1/2"	6 - 3/8"	Female NPSF	Nitrile (AMS3215)
			12 - 3/4"	8 - 1/2"	M	V
				12 - 3/4"	Male NPT	Viton (MIL-R-25897)
				16 - 1"	RP	JF
					Female British Parallel BS2779	Nitrile (MIL-P-5315)
					EF	M
					Female SAE O'Ring Boss	Nitrile (MIL-P-25732)
					EM	E
					Male SAE 37°	Ethylene Propylene
						AS
						Aflas
						K
						Kalrez
						**Standard seal- No letter designation required.

¹For other end fittings and seal or coupling materials, consult the factory.

Pressure Ratings psi (bar)

Size	Working Pressure	Proof Pressure	Burst Pressure
3/8"	5000 (344)	7500 (517)	10000 (689)
1/2"	3000 (206)	4500 (310)	6000 (413)
3/4"	3000 (206)	4500 (310)	6000 (413)

Burst pressures listed were taken at the point at which failure rendered the quick-disconnect inoperative.

NOTE: Pressure ratings were established under static pressure conditions. For high impulse applications, multiply the above pressure ratings by .6 for approximate pressure ratings.

Air Inclusion on Connect, Spillage on Disconnect

Size (inches)	Spillage (cc)	Inclusion (cc)
3/8	< .02	.03
1/2	.12	.19
3/4	.08	.13

Note:

Air inclusion at 0 psi internal pressure.
Spillage at 15 psi (1 bar) internal pressure.

Separation Forces at 10000 psi (689 bar)

Size (inches)	Forces in Pounds (kilograms)
3/8	< 60 (27)
1/2	< 60 (27)
3/4	< 60 (27)

Maximum Recommended Connect/Disconnect Pressure

Dynamic pressure 250 psi (17 bar)
Static pressure 3000 psi (206 bar)