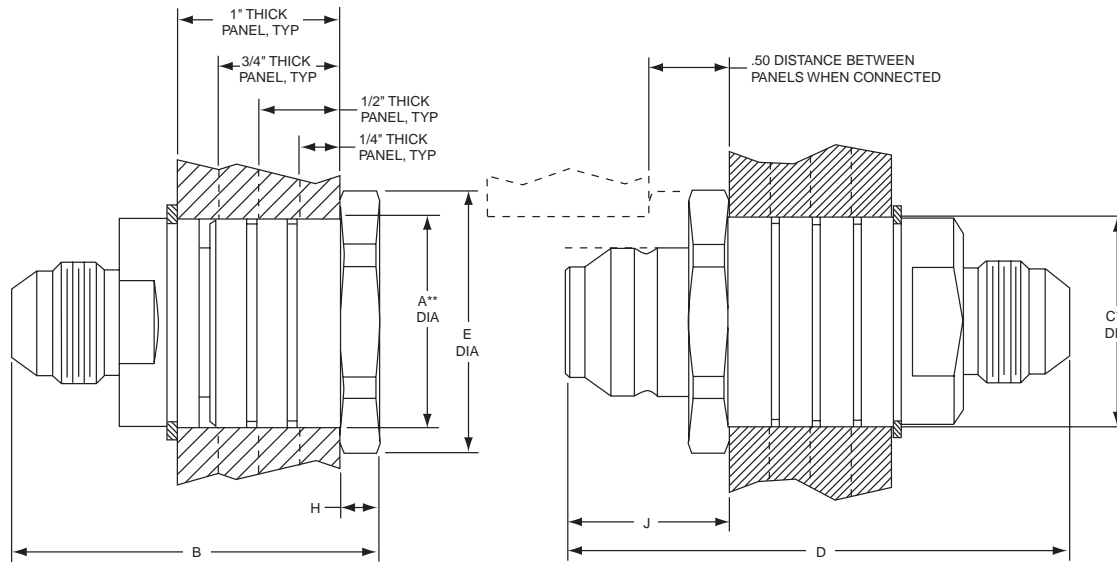


# LN SERIES

## Panel Mount Couplings 1/4" - 2" Sizes



Coupler Assembly

Nipple Assembly

\*\*Recommended hole size.

**Snap-tite**  
COMPONENTS, INC.

Quick Disconnect & Valve Division  
201 Titusville Road  
Union City, PA 16438-8699 USA  
PH: 814-438-3821 FAX: 814-438-3069  
e-mail: [qd&v\\_sales@snap-tite.com](mailto:qd&v_sales@snap-tite.com)  
[www.snap-tite.com](http://www.snap-tite.com)

**Snap-tite**  
EUROPE, B.V.

Industrial Estate  
Whitemill - Wexford  
Republic of Ireland  
PH: 353-53-41566 FAX: 353-53-41582  
e-mail: [snap-tite@snap-tite.iol.ie](mailto:snap-tite@snap-tite.iol.ie)  
[www.snap-tite.com](http://www.snap-tite.com)

ISO-9001 Certified

Unit Size	A Dia +/- .005		B +/- .03		C Dia +/- .005		D +/- .03		E Dia		H		J	
	in	mm	in	mm	in	mm	in	mm	in	mm	in	mm	in	mm
1/4"	.828	21.03	1.85	46.99	.828	21.03	2.21	56.13	1.13	28.70	.24	6.10	.84	21.34
3/8"	1.188	30.18	2.23	56.64	1.188	30.18	2.45	62.23	1.38	35.05	.24	6.10	.89	22.61
1/2"	1.313	33.35	2.27	57.66	1.313	33.35	3.10	78.74	1.63	41.40	.24	6.10	1.00	25.40
5/8"	1.563	39.70	2.95	74.93	1.563	39.70	2.75	69.85	1.78	45.21	.24	6.10	1.11	28.19
3/4"	1.688	42.88	2.97	75.44	1.688	42.88	3.58	90.93	1.93	49.02	.24	6.10	1.18	29.97
1"	2.234	56.74	3.73	94.74	2.234	56.74	3.62	91.95	2.50	63.50	.24	6.10	1.30	33.02
1-1/4"	2.656	67.46	4.14	105.16	2.656	67.46	4.50	114.30	3.00	76.20	.24	6.10	1.74	44.20
1-1/2"	3.000	76.20	4.50	114.30	3.000	76.20	4.00	101.60	3.50	88.90	.24	6.10	1.74	44.20
2"	3.546	90.07	4.82	122.43	3.546	90.07	5.19	131.83	3.75	95.25	.24	6.10	2.11	53.59

Contact factory for verification of dimensions prior to any machining.

# LN SERIES

## How to Order

Part Number Example: ALNC8-8EFM

Material <sup>1</sup>	Series	Coupling Half	Coupling Size	End Fitting Size	Type of <sup>1</sup> End Fitting	Seal <sup>1</sup> Material
<b>A</b> Aluminum <b>S</b> Stainless Steel	<b>LN</b>	<b>C</b> Coupler <b>N</b> Nipple	4 - 1/4"	4 - 1/4"	<b>F</b>	**
			6 - 3/8"	6 - 3/8"	Female NPSF <sup>2</sup>	Nitrile (AMS3215)
			8 - 1/2"	8 - 1/2"	<b>M</b>	<b>V</b>
			10 - 5/8"	10 - 5/8"	Male NPT	Viton (MIL-R-25897)
			12 - 3/4"	12 - 3/4"	<b>RP</b>	<b>JF</b>
			16 - 1"	16 - 1"	Female British Parallel BS2779	Nitrile (MIL-P-5315)
			20 - 1-1/4"	20 - 1-1/4"	<b>EF</b>	<b>M</b>
			24 - 1-1/2"	24 - 1-1/2"	Female SAE O'Ring Boss	Nitrile (MIL-P-25732)
			32 - 2"	32 - 2"	<b>EM</b>	<b>E</b>
					Male SAE 37°	Ethylene Propylene
			<b>AS</b>	Aflas		
			<b>K</b>	Kalrez		
				**Standard seal- No letter designation required.		

<sup>1</sup>For other end fittings and seal or coupling materials, consult the factory.

<sup>2</sup>NPSF Female straight pipe thread on sizes to 1" taper pipe on sizes above 1".

## Pressure Ratings psi (bar)

Size (inches)	Working Pressure		Proof Pressure		Burst Pressure	
	Steel	Stainless Steel	Steel	Stainless Steel	Steel	Stainless Steel
1/4 thru 1	1000 (69)	1000 (69)	1500 (103)	1500 (103)	2000 (138)	2000 (138)
1-1/4 thru 2	600 (41)	600 (41)	900 (62)	900 (62)	1200 (82)	1200 (82)

Burst pressures listed were taken at the point at which failure rendered the quick-disconnect inoperative.

Pressure ratings were established under static pressure conditions. Therefore, pressure ratings for any given flow, pressure surge and/or vibration may vary these ratings.

**NOTE:** For high impulse applications, multiply the above pressure ratings by .6 for approximate pressure ratings.

## Air Inclusion on Connect, Spillage on Disconnect

Size (inches)	Spillage (cc)	Inclusion (cc)
1/4	.01	.05
3/8	.03	.18
1/2	.04	.28
5/8	.13	.31
3/4	.15	.48
1	.30	.80
1-1/4	.40	1.57
1-1/2	.70	2.00
2	1.00	3.00

**Note:** Air inclusion at 0 psi internal pressure. Spillage at 15 psi (1 bar) internal pressure.

## Separation Forces at 1000 psi (69 bar)

Size (inches)	Forces in Pounds (kilograms)	
1/4	190	(86)
3/8	360	(163)
1/2	500	(227)
5/8	750	(340)
3/4	950	(431)
1	1750	(794)
1-1/4	1450	(656) <sup>1</sup>
1-1/2	2250	(1021) <sup>1</sup>
2	3250	(1474) <sup>1</sup>

<sup>1</sup>Separation forces for 1-1/4" thru 2" based on 600 psi (41 bar)

## Maximum Recommended Connect/Disconnect Pressure

0 psi